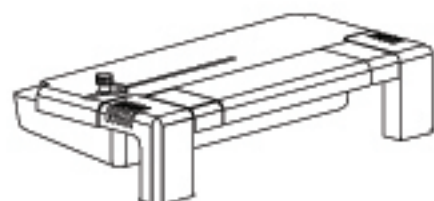
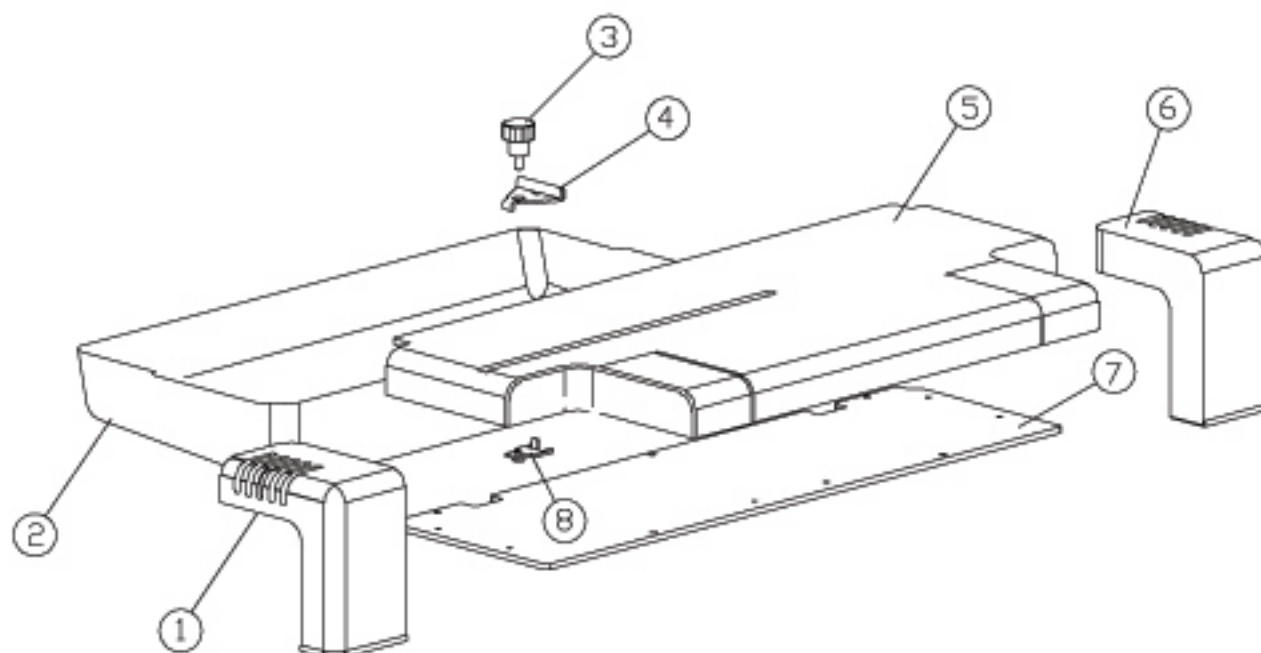


Item number	Description	Qty.	Page
A	Main machine	1	3
B	Interchangeable dies set	1	
C	Paper flat	1	2

D600

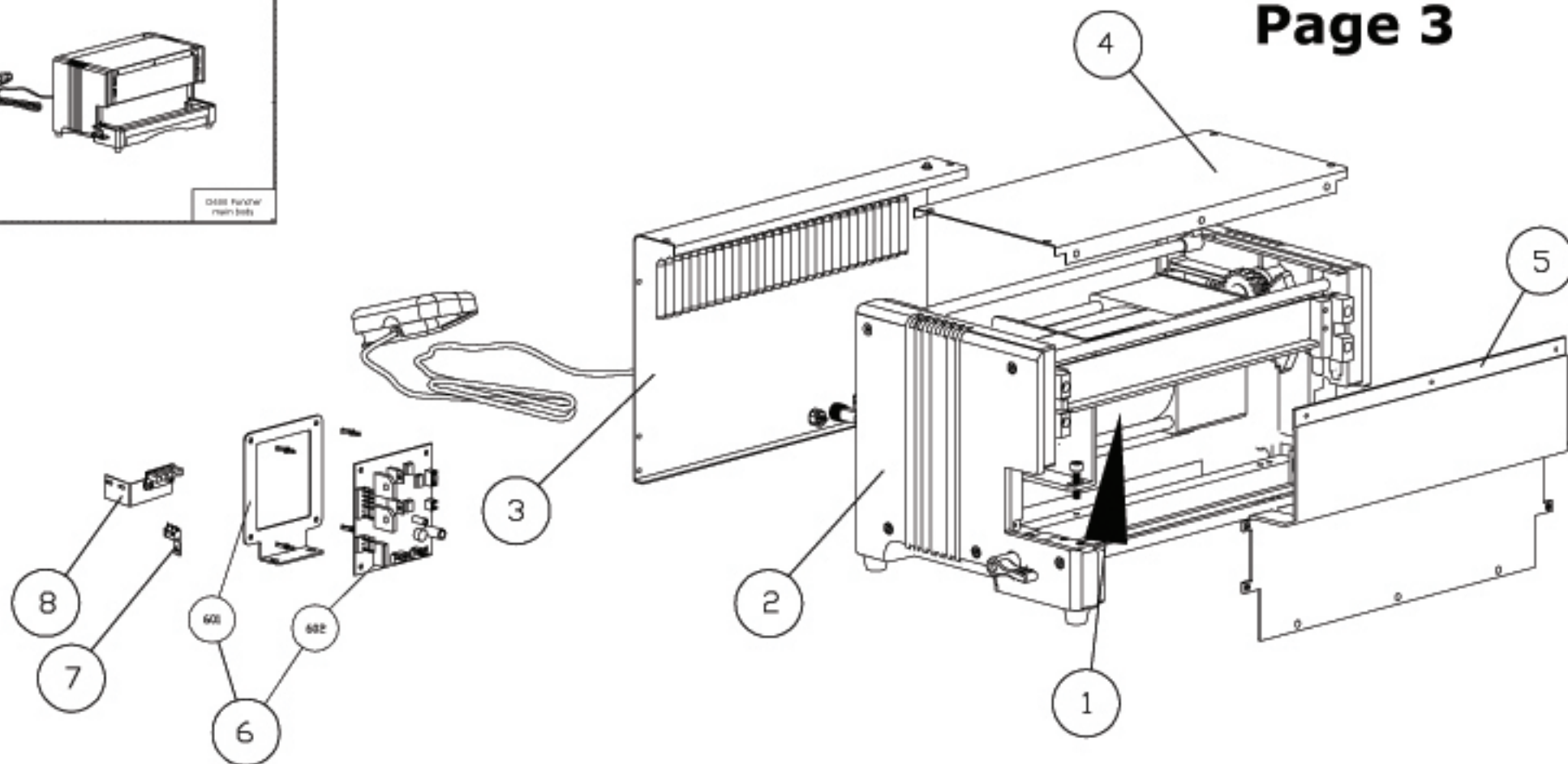
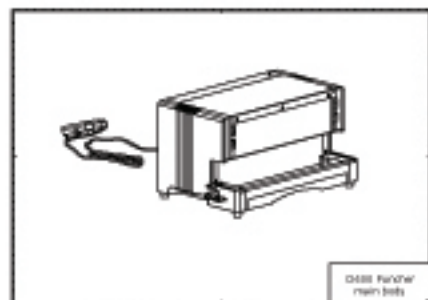


Paper Flat assembly



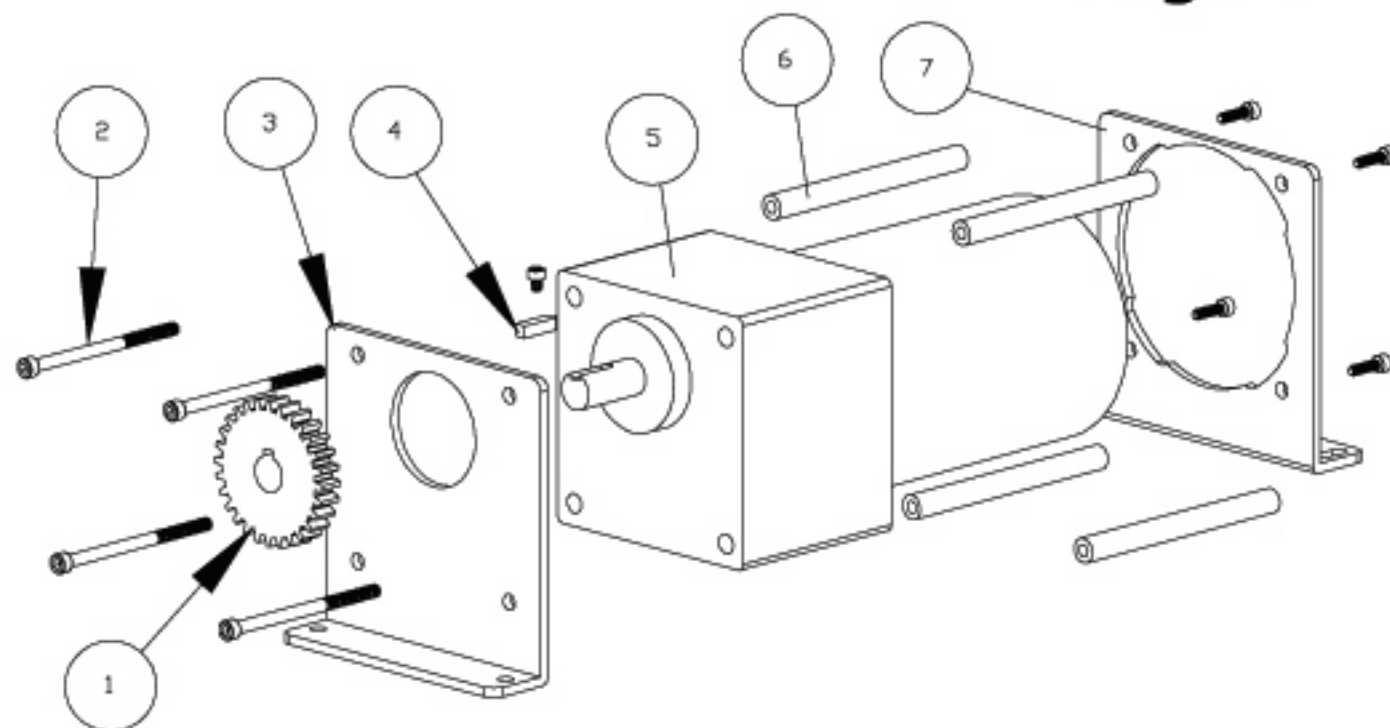
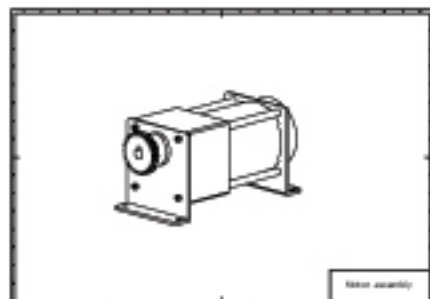
Series	Item number	Description	Qty.
1	C1	Left stanchion	1
2	C2	Drawer	1
3	C3	Paper stop adjuster	1
4	C4	Paper stop	1
5	C5	Paper flat	1
6	C6	Right stanchion	1
7	C7	Plate	1
8	C8	Paper stop limite	1

C



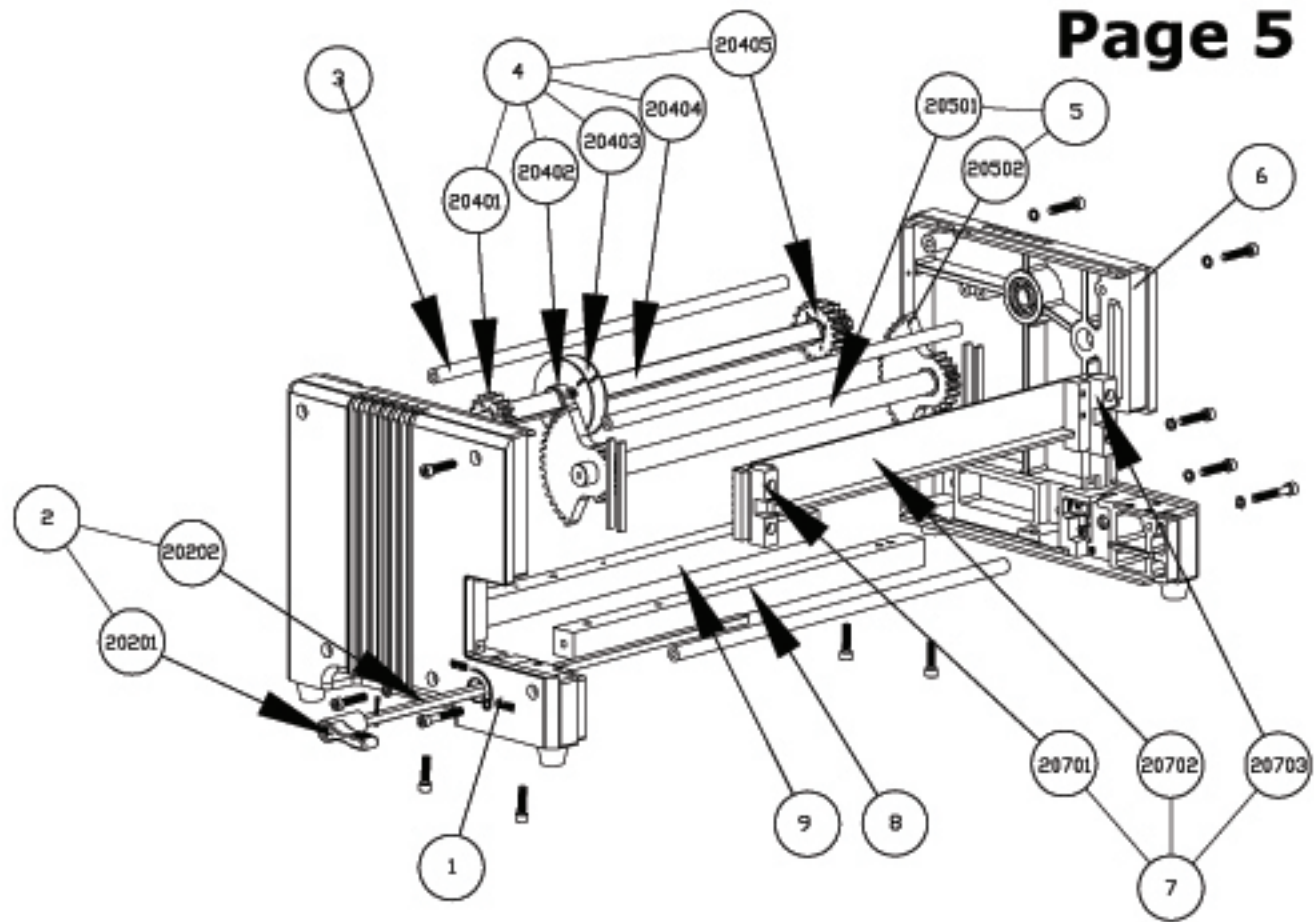
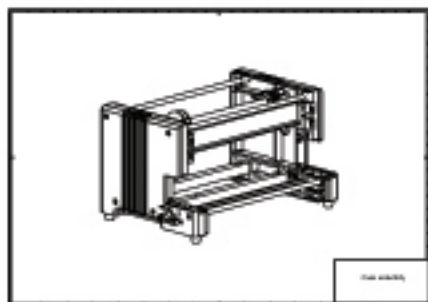
Series	Item number	Description	Qty.	Page
1	A1	Motor assembly	1	4
2	A2	Case assembly	1	5
3	A3	Back cover assembly	1	6
4	A4	Top cover	1	
5	A5	Front cover	1	
6	A601	PCB support	1	
	A602	PCB assembly		
7	A7	Lock switch	1	
8	A8	Photo-electronic controller assembly	1	

Main body
explosion



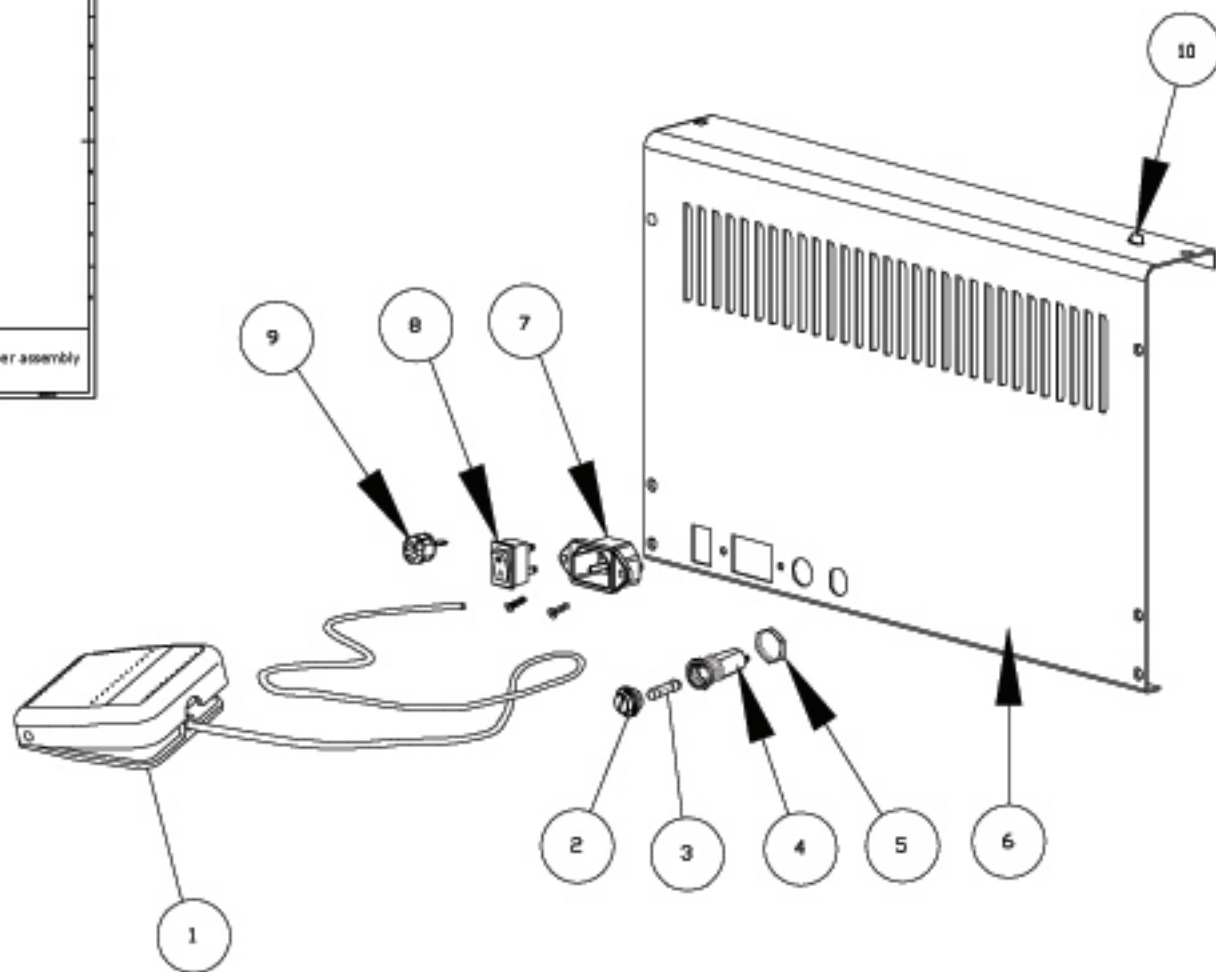
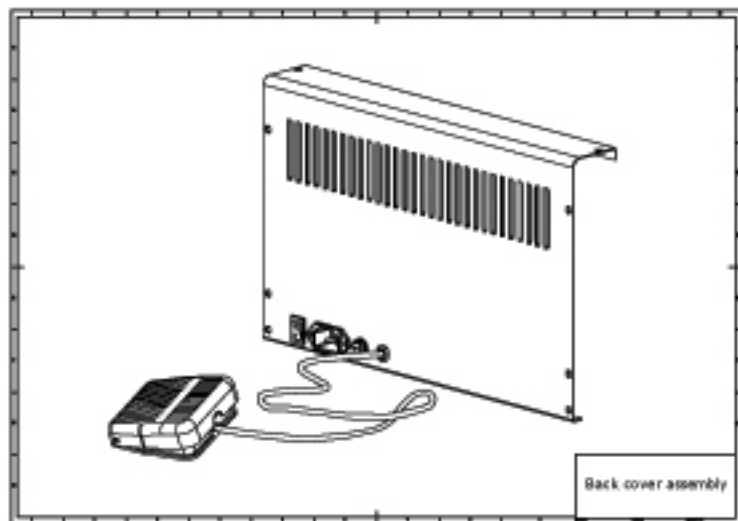
Series	Item number	Description	Qty.
1	A101	1st degree drive gear	1
2	A102	Bolt	4
3	A103	Plate	1
4	A104	Key	1
5	A105	Motor	1
6	A106	Connection bar	4
7	A107	Plate	1

A1

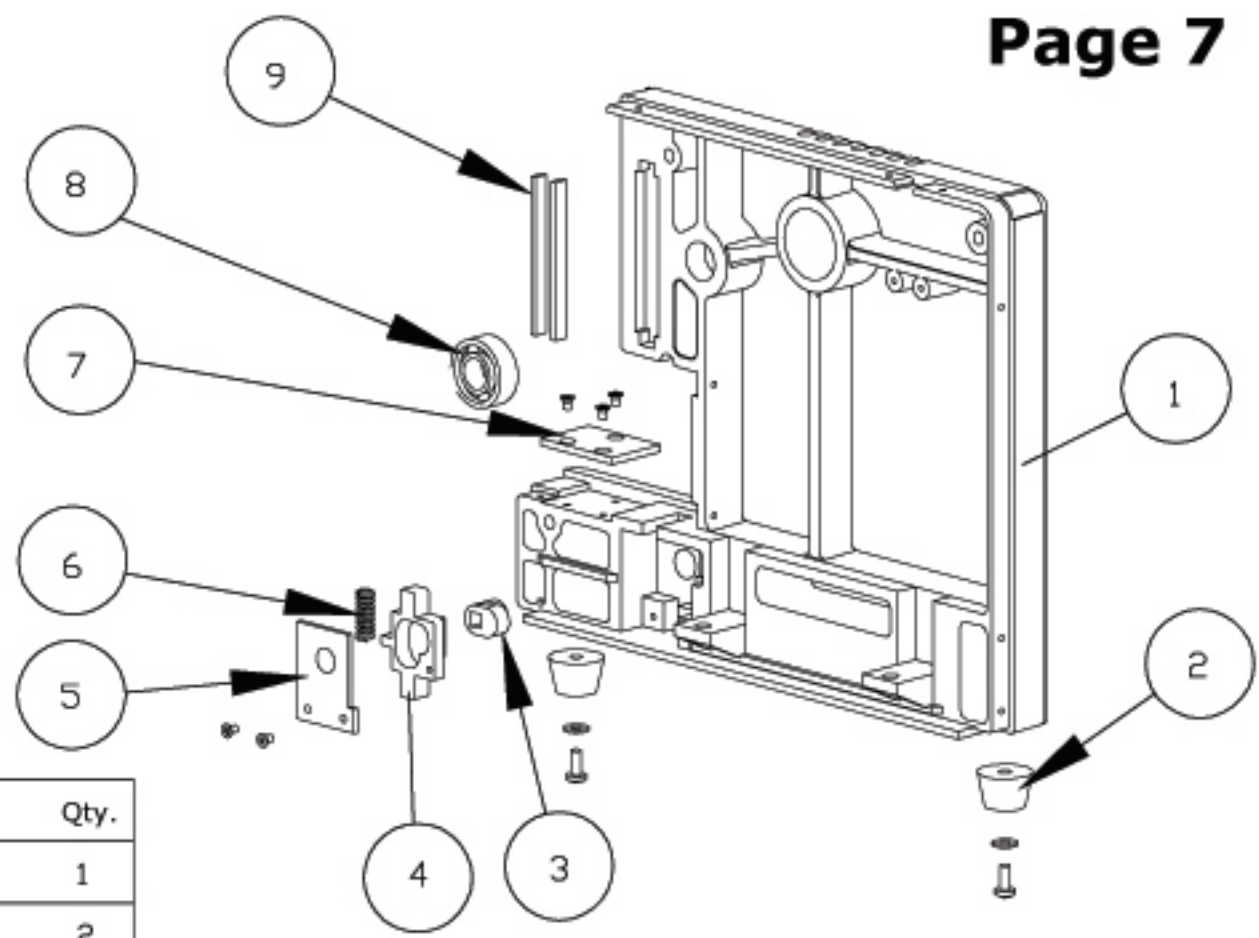
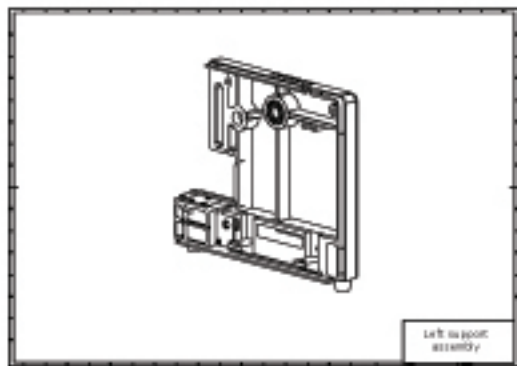


Series	Item number	Description	Qty.	Page
1	A201	Left support assembly	1	7
2	A20201	Lock handle	1	
	A20202	Lock bar	1	
3	A203	Round bar	2	
4	A20401	2nd degree drive gear	2	
	A20402	Bushing	2	
	A20403	Motor position plate	1	
	A20404	Square bar	1	
	A20405	1st degree decelerating gear	1	
	A20501	Axis	1	
5	A20502	2nd degree decelerating gear	2	
6	A206	Right support assembly	1	8
7	A20701	Left connect block	1	
	A20702	Cross plate	1	
	A20703	Right connect block	1	
8	A208	Front motor support bar	1	
9	A209	Back motor support bar	1	

A2

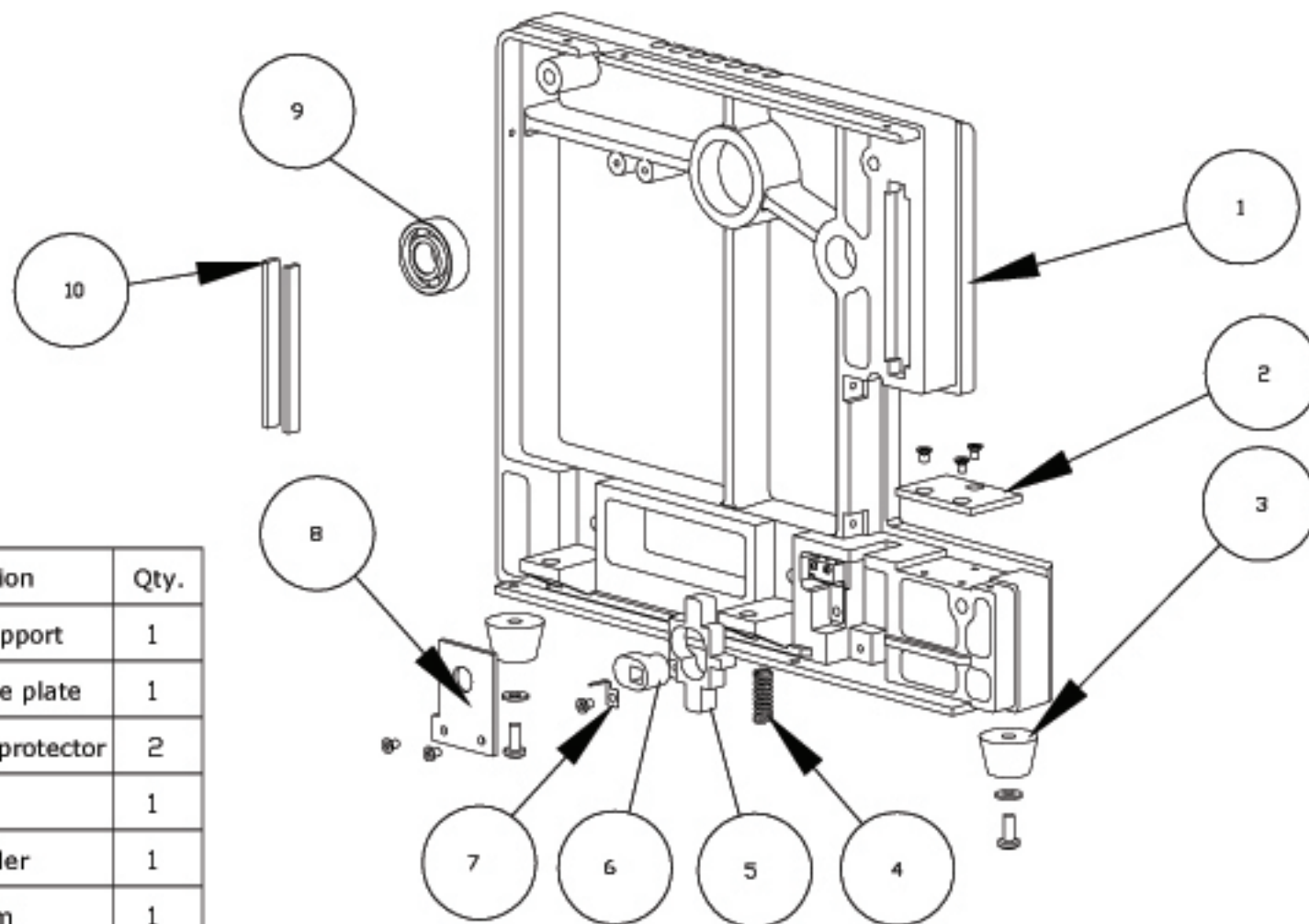
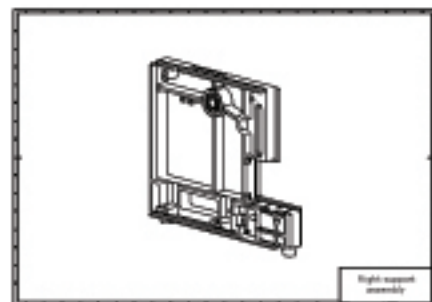


Series	Item number	Description	Qty.
1	A301	Pedal switch	1
2	A302	Fuse base cover	1
3	A303	Fuse tube	1
4	A304	Fuse base	1
5	A305	Nut	1
6	A306	Back cover	1
7	A307	Socket	1
8	A308	Switch	1
9	A309	Wire fixer	1
10	A310	Indicate light	1



Series	Item number	Description	Qty.
1	A20101	Left support	1
2	A20102	Rubber protector	2
3	A20103	Lock cam	1
4	A20104	Lock slider	1
5	A20105	Cover plate	1
6	A20106	Spring	1
7	A20107	Reinforce plate	1
8	A20108	Bearing	1
9	A20109	Sliding Plate	2

A201



Series	Item number	Description	Qty.
1	A20601	Right support	1
2	A20107	Reinforce plate	1
3	A20102	Rubber protector	2
4	A20106	Spring	1
5	A20104	Lock slider	1
6	A20103	Lock cam	1
7	A20602	Lock chip	1
8	A20105	Cover plate	1
9	A20108	Bearing	1
10	A20109	Sliding Plate	2

A206